

REPAIR AND OVERHAUL INSTRUCTIONS

MASTER BRAKE CYLINDER LOCAL REPAIR

INFORMATION

1 Although modification EO 05-45B-6A/32, MBC Piston Replacement, should go far toward prolonging the life of the cup gland, replacement of this item, and other minor parts replacements, will be necessary from time to time. Except for entire piston replacement all MBC repairs have previously been carried out by the contractor. This was felt to be the most advisable course due to the difficulty encountered during re-assembly of the piston. Now, however, plans are available for local manufacture of a tool that should simplify this task; refer

to Figure 1. This tool facilitates compression of the cup retainer ring, previously a most difficult procedure.

2 Accordingly we have stocked a breakdown of parts for the modified 694-187800 MBC and these are detailed in Figure 2. Single asterisked items have been procured in small quantities and are to be demanded only as and when an actual requirement exists. Double asterisked items have been procured in slightly larger quantities (ea. 200 for an estimated 12 months requirements) and 3 - 4 months requirements may be stocked by operators.

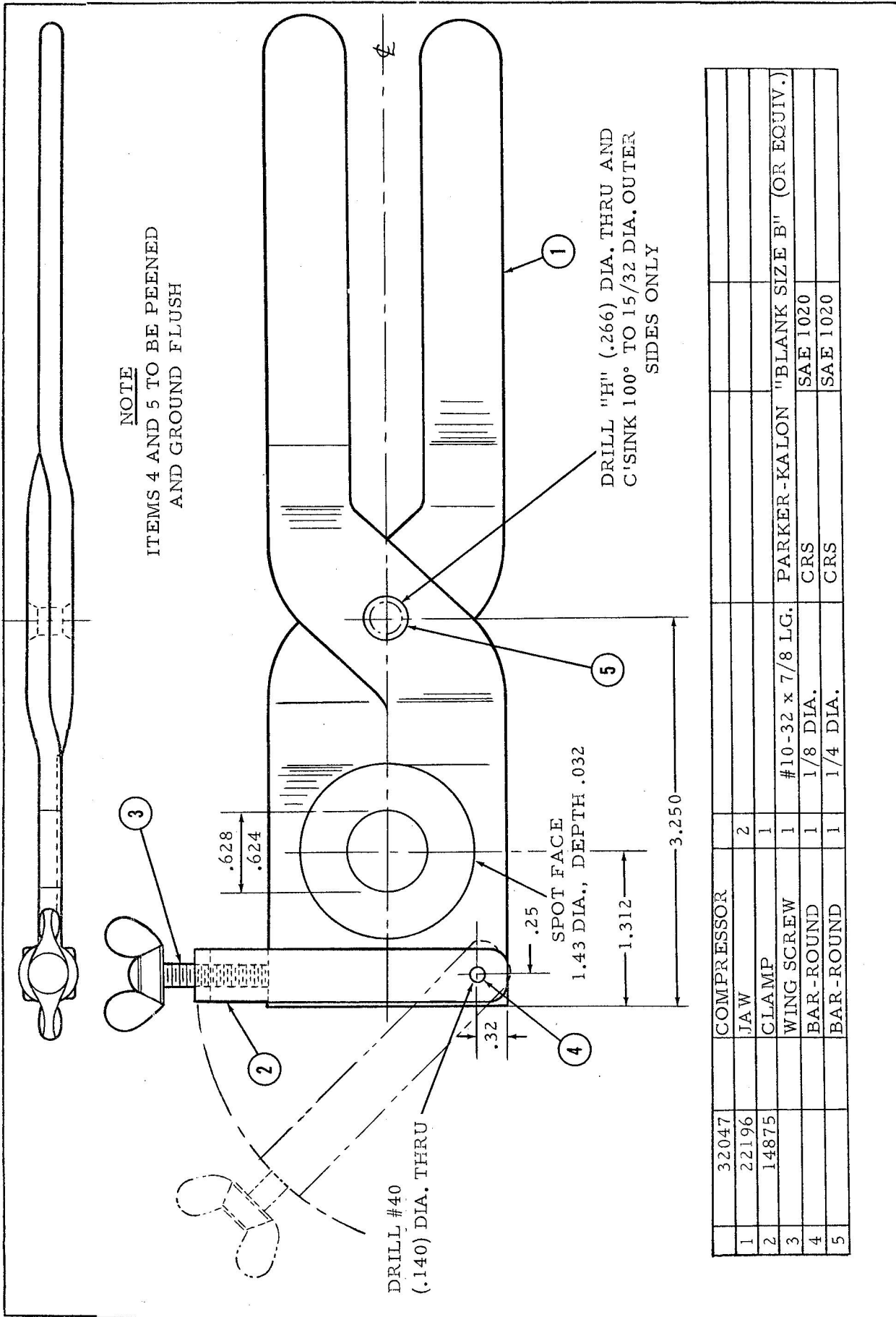


Figure 1

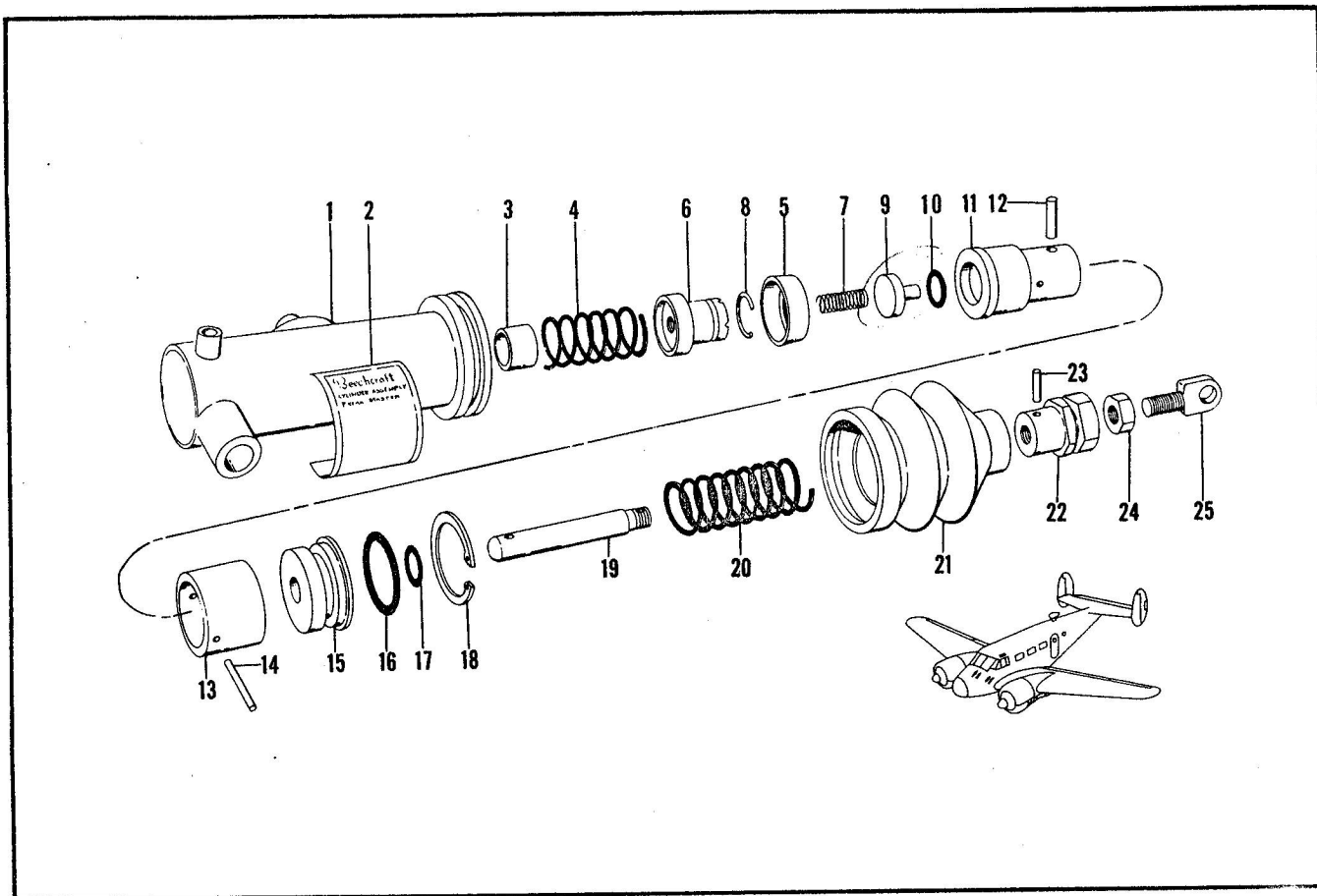


Figure 2

FIGURE and INDEX NUMBER	GROUP							Units Per Ass'y	Usage on Code	
	MAJOR ASSEMBLY									
	PART NUMBER	1	2	3	4	5	6			7
2	* 694-187800								CYLINDER ASSY, Brake master for next higher assy)	Ref.
-1	* 404-187814								CYLINDER, Brake master	1
-2	694-180113								PLACARD, Brake master cylinder	1
-3	** 100969-A19- 15-014								SPACER, Brake master cylinder	1
-4	* 694-187804								SPRING, Brake master cylinder	1
	* 694-187801								PISTON ASSY, Brake master cylinder	1
-5	** 694-187803								CUP, Brake master cylinder piston	1
-6	694-187806								RETAINER, Brake master cylinder piston	1
-7	* 111504-010- 016-0024-22								SPRING, Brake master cylinder piston	1
-8	** 644-187811								RING, Retainer	1
-9	** 694-187815								VALVE ASSY, Poppet	1
-10	AN6227-B8								RING, "O"	1
-11	694-187802								PISTON, Brake master cylinder	1

FIGURE and INDEX NUMBER	GROUP							Units Per Ass'y	Usage on Code	
	MAJOR ASSEMBLY									
	PART NUMBER	1	2	3	4	5	6			7
2 (Cont'd)									Ref.	
-12	694-187801									
	-3									
-13	694-187811									
-14	694-187801									
	-1									
-15	694-187813									
-16	** AN6227-									
	B15									
-17	** AN6227-B8									
-18	** NAS50-112									
-19	694-189807									
-20	* 694-187814									
-21	218077									
-22	214182									
-23	102809-									
	A093-017									
	AN380-3-3									
-24	AN335-5									
-25	404-187803									